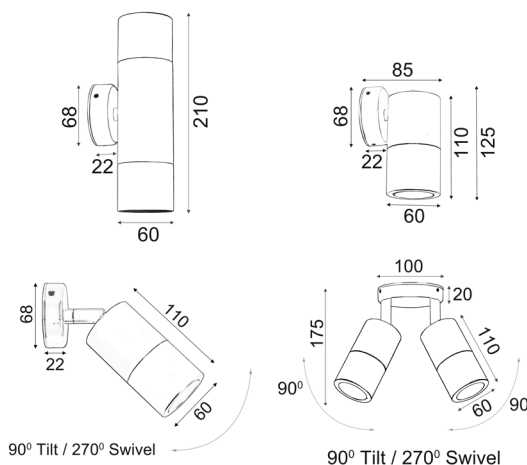


GU10 EXTERIOR WALL PILLAR LIGHTS (316 SS)



- Exterior surface mounted pillar lights
- Input voltage range: 110-265V AC 50/60Hz
- Material: 316 stainless steel
- Colour: stainless steel
- Lamp holder: GU10 (Max.35W)
- Globes not included

 GU10	IP65 Rated	2YEAR Replacement Warranty
--	----------------------	---



Part No	Description	Colour	Qty of Globes	Box Weight (kg)	Box Size (cm)	Carton Qty
PGUDSS	PILLAR GU10 UP/DN SS316	316 STAINLESS STEEL	2xGU10	1.10	22.2 x 9.6 x 8.5	20
PG1FSS	PILLAR GU10 FIXED SS316	316 STAINLESS STEEL	1xGU10	0.75	15 x 10 x 8	20
PG1ASS	PILLAR GU10 S/ADJ SS316	316 STAINLESS STEEL	1xGU10	0.75	19.5 x 8 x 8	20
PG2ASS	PILLAR GU10 D/ADJ SS316	316 STAINLESS STEEL	2xGU10	1.50	19 x 12 x 12	20

*Must be installed by a licenced electrician (Installation instructions sheet provided in each product box)

*Made from 316 stainless steel for durability and corrosion resistance. A clear protective coating is applied for surface finish, which may peel over time in outdoor or high pressure cleaning conditions.

*To avoid disappointment and warranty problems, please ensure the IP rating of the chosen product is relevant for the intended use. To maintain the IP rating, mounting screws and cable entries should be sealed with a suitable sealant.