

Esta 20W Downlight

MD8220CCT



20W Slimline LED downlight with Independent driver

IP44 rated (front face)

200mm cut-out

IC-4 rated

Switch between 3000K/4000K/5700K colour temperature

Lumen Efficacy 101lm/W @4000K


Fitted with lead and plug

Leading and Trailing edge dimmable


3 year warranty, suitable for Commercial applications

Suitable for ceilings with limited space


Beam angle	100°
Colour temperature	3000K/4000K/5700K
Cri	>80
Dimmable	Yes
Globe included	Yes
Globe type	Integrated LED
Ip rating	IP44
Lumens	1800lm/1900lm/1850lm
Model	MD8220CCT
Warranty	3 Year
Wattage	20W




IC-4
INSULATION
CONTACT RATING




DIY




DIMMABLE



CCT
CHANGEABLE
COLOUR
TEMPERATURE

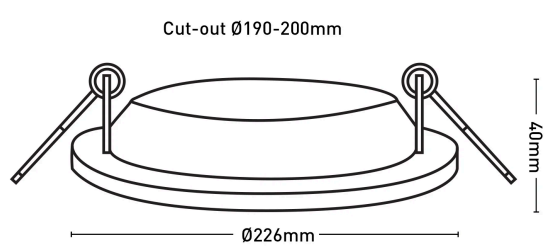


IP44
RATING



LED

Dimensions



Cut-out Ø190-200mm

Ø226mm

40mm

